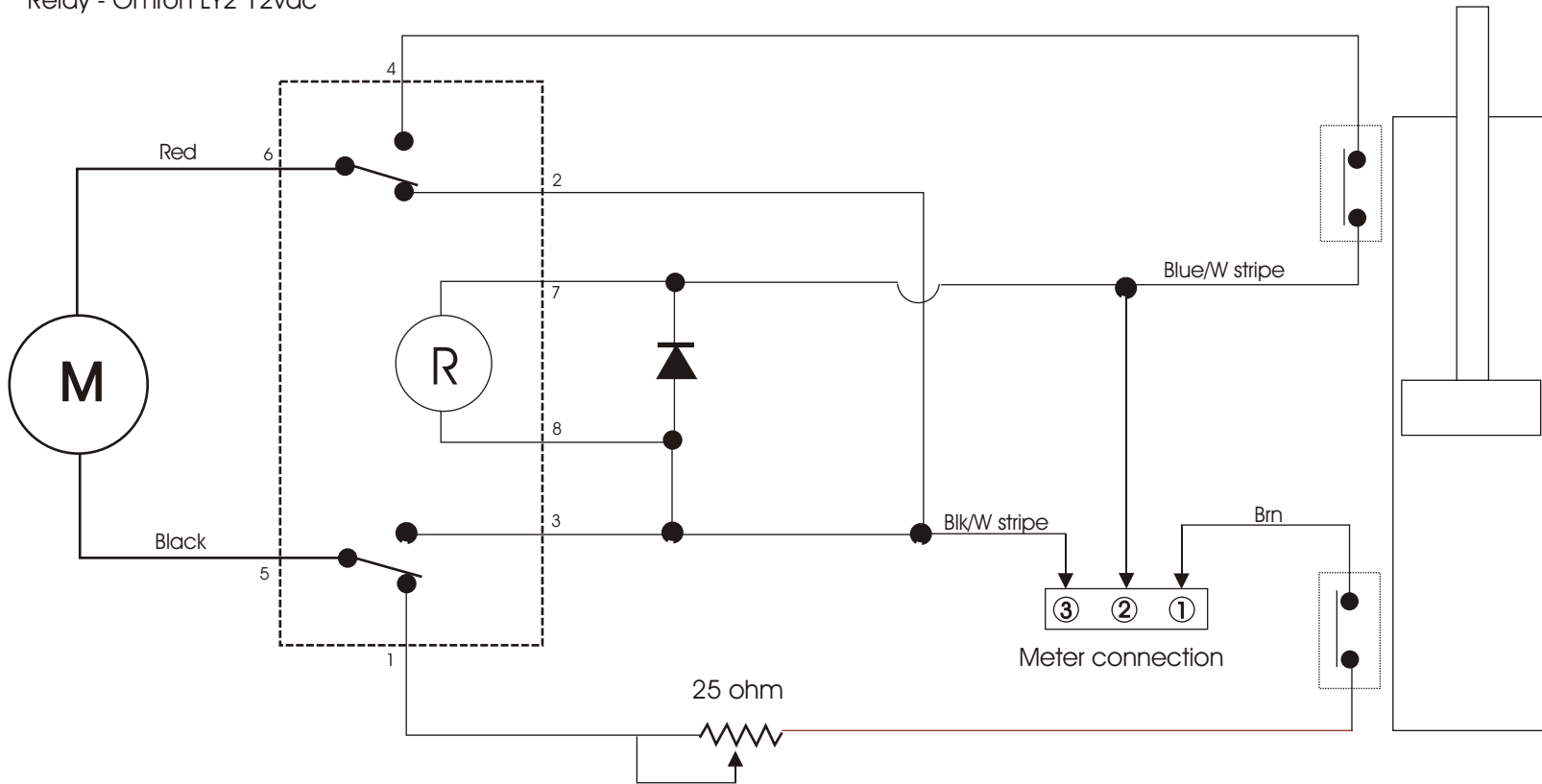


Mystic Tan - Meter circuit

Relay - Omron LY2 12vdc



On tanning cycle, spray signal is sent from PLC to meter connector pin 1. Motor drive retracts the three lotion cylinders and extends the rinse cylinder. Motor runs until the PLC removes signal.

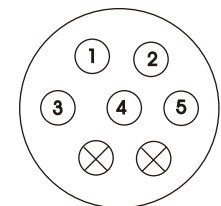
In wash cycle, the PLC sends signal onto connector pin # 2. This switches relay, causing motor to run in reverse. Motor drive extends the lotion cylinder and retracts the rinse cylinder.

In both cases, the motor will continue running until the signal from PLC is removed, or until one of the magnetic reed switches opens. The reed switches sense the magnetic piston and are adjusted to open prior to the cylinders reaching the end of travel.

Motor draws approx. 250ma when lines disconnected and without fluids.

Pin 1 - Spray (cylinder retract)
Pin 2 - Wash (cylinder extend)
Pin 3 - Common

Pin 4 - Rinse bushbutton
Pin 5 - Rinse bushbutton



Male connector on
Mystic meter